

# 三维几何内核

研发

# CAD 3D kernel product

## Kernels on the market

- ACIS
- Parasolid
- CGM
- C3D
- RGK
- SMLib
- OpenCascade



SIEMENS

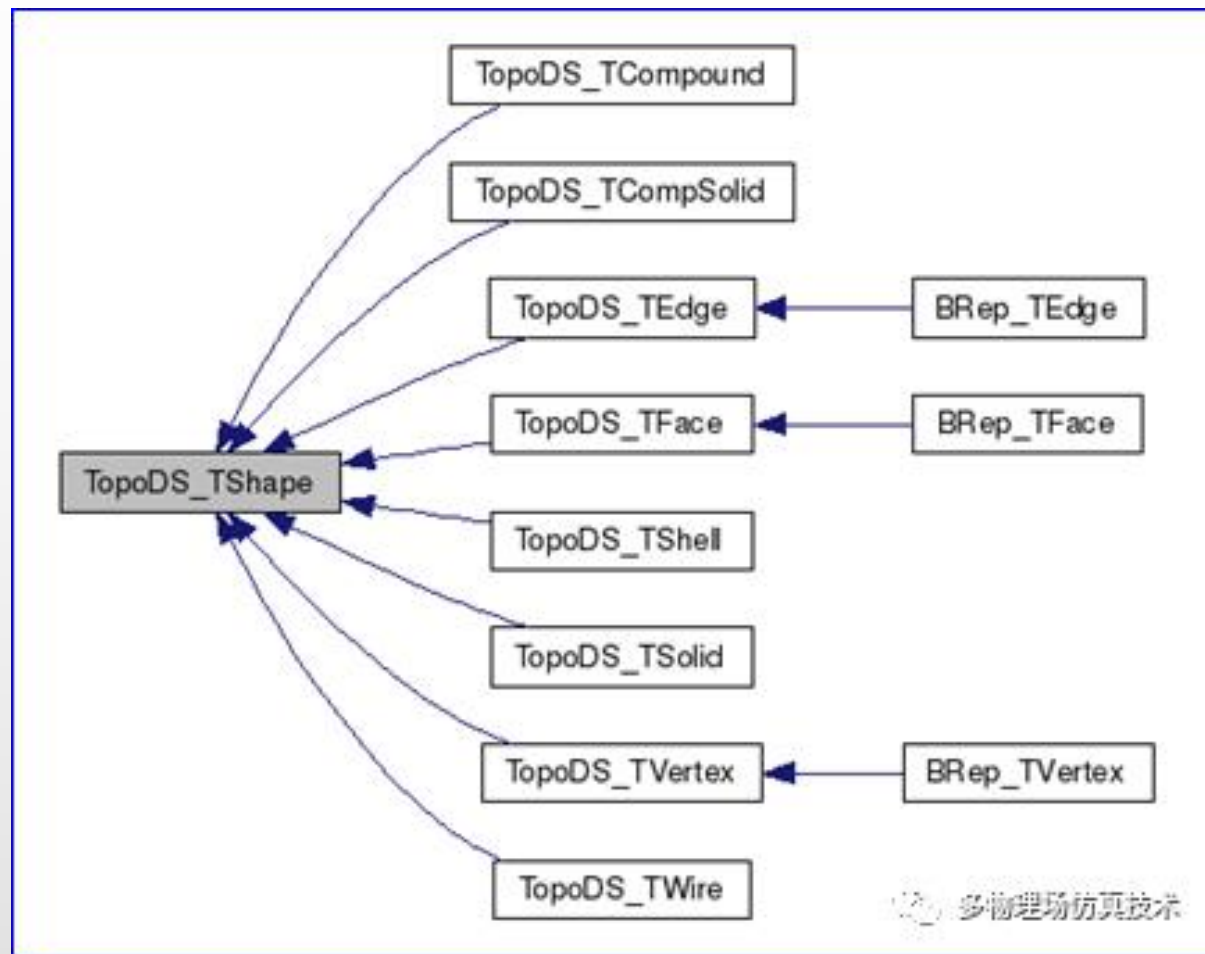
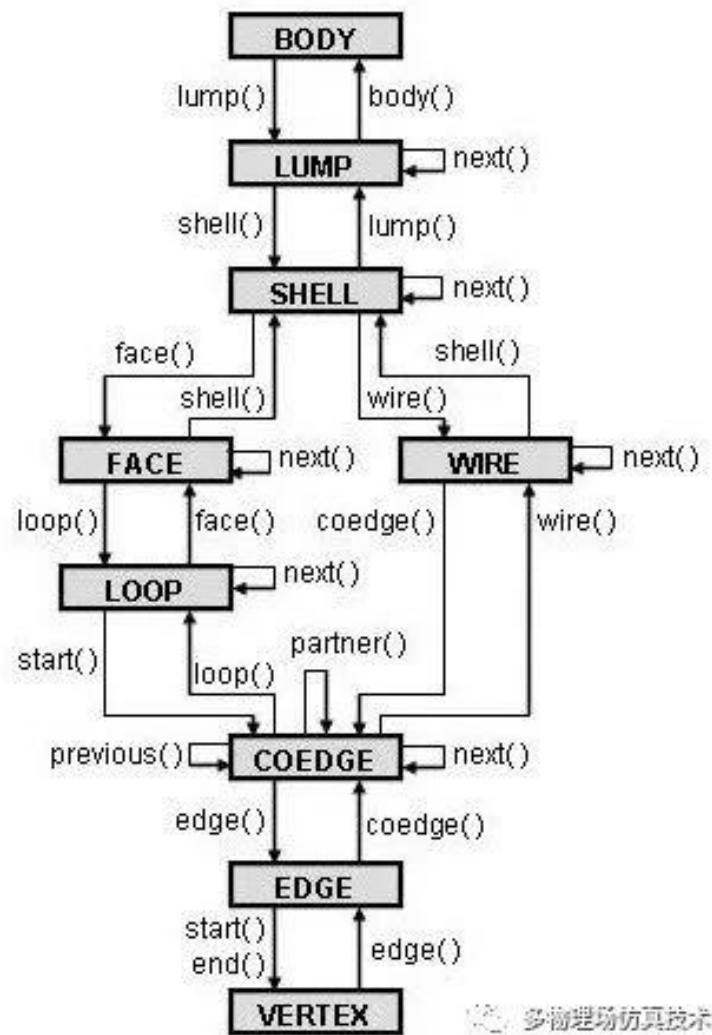


2

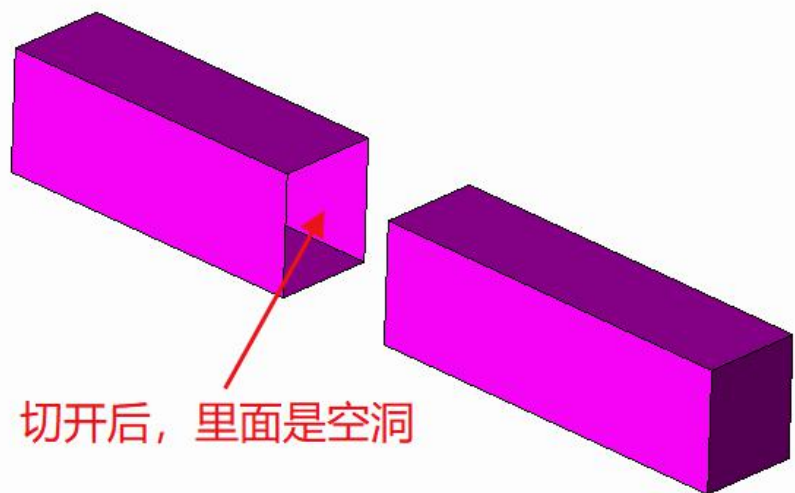
# 几种结构

- CSG (Constructive Solid Geometry)
- BRep (Boundary Representation)
- Medial Axis

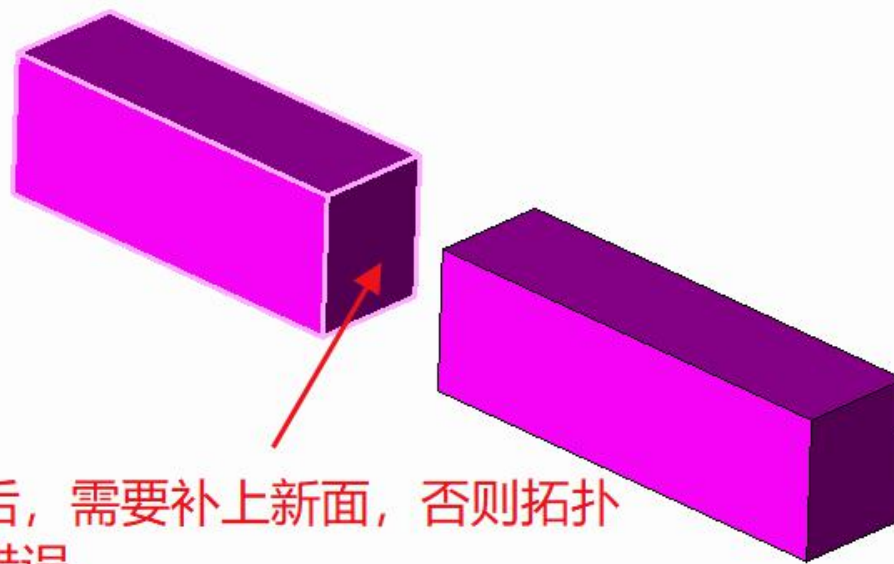
# BRep topology



# BRep--Solid

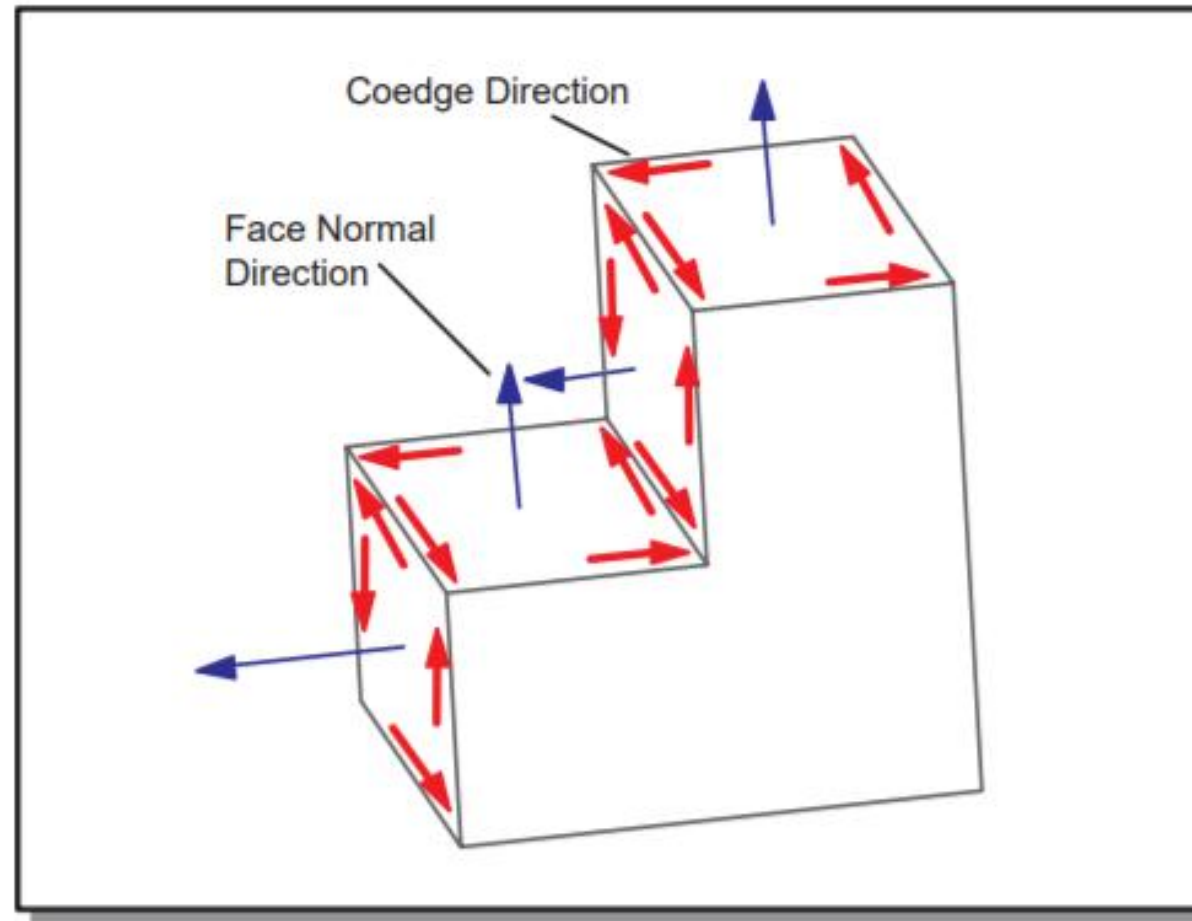


多物理场仿真技术



多物理场仿真技术

# Topology

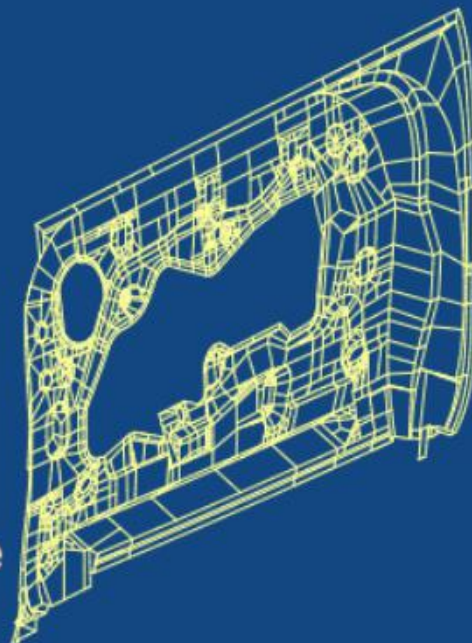


# Geometry

## Geometry – Curve and Surface types

### Curves

- Analytics
  - Line
  - Circle
  - Ellipse
- Freeform
  - NURBS curve
- Generated
  - Parameter-space (SP) curve
  - Isoparametric curve
  - Intersection curve



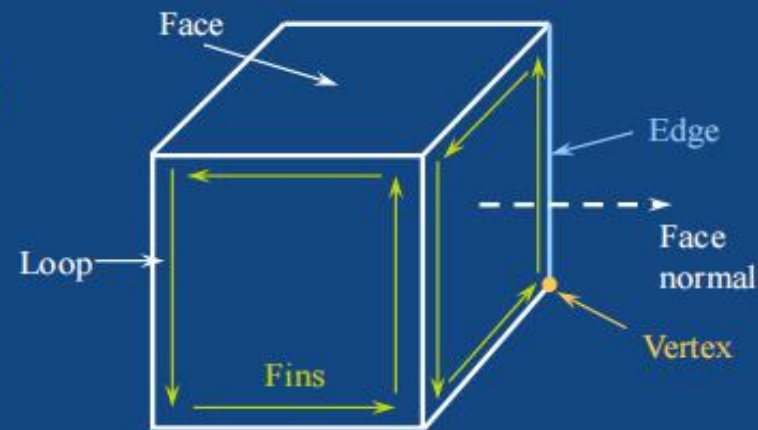
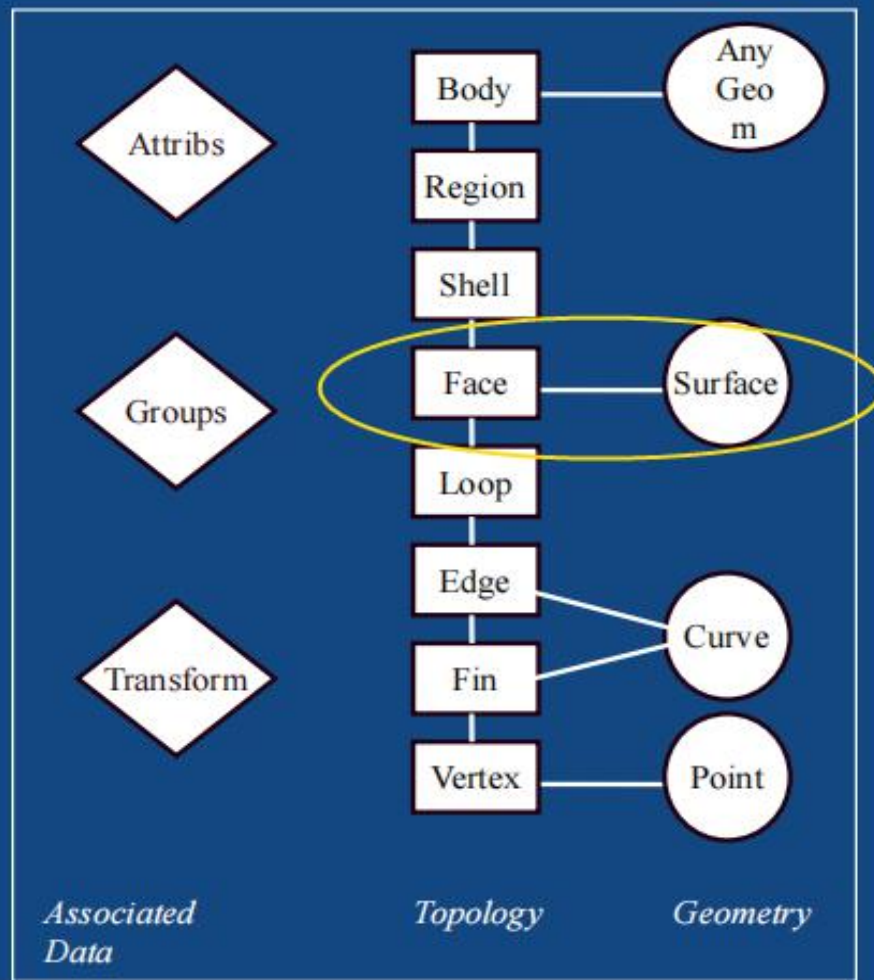
### Surfaces

- Analytics
  - Plane
  - Circular cylinder
  - Circular cone
  - Sphere
  - Torus
- Freeform
  - NURBS surface
- Generated
  - Surface of revolution
  - Extruded surface
  - Offset surface
  - Rolling ball blend surface



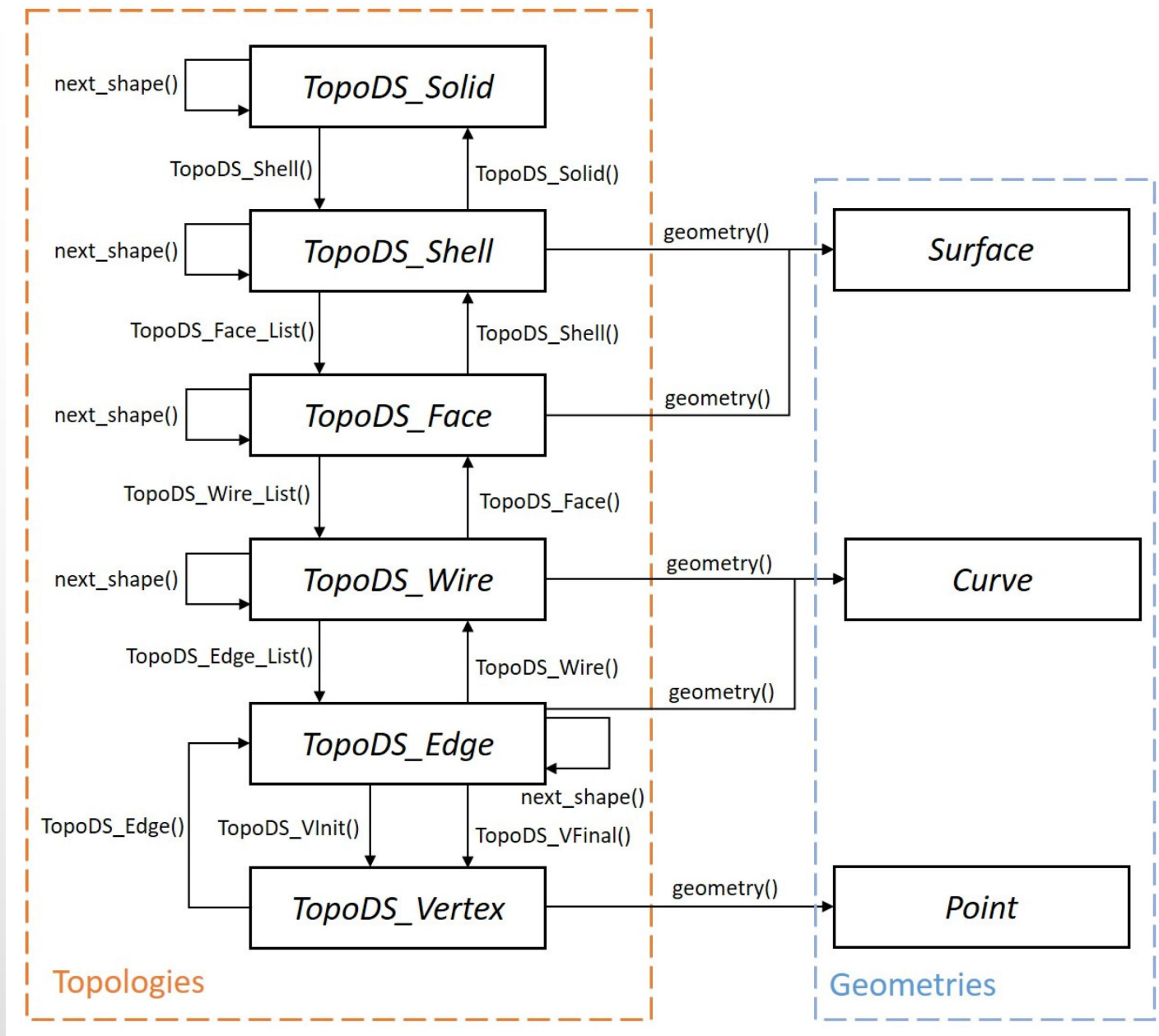
# Geometry And Topology

## Model Representation – Model Entities

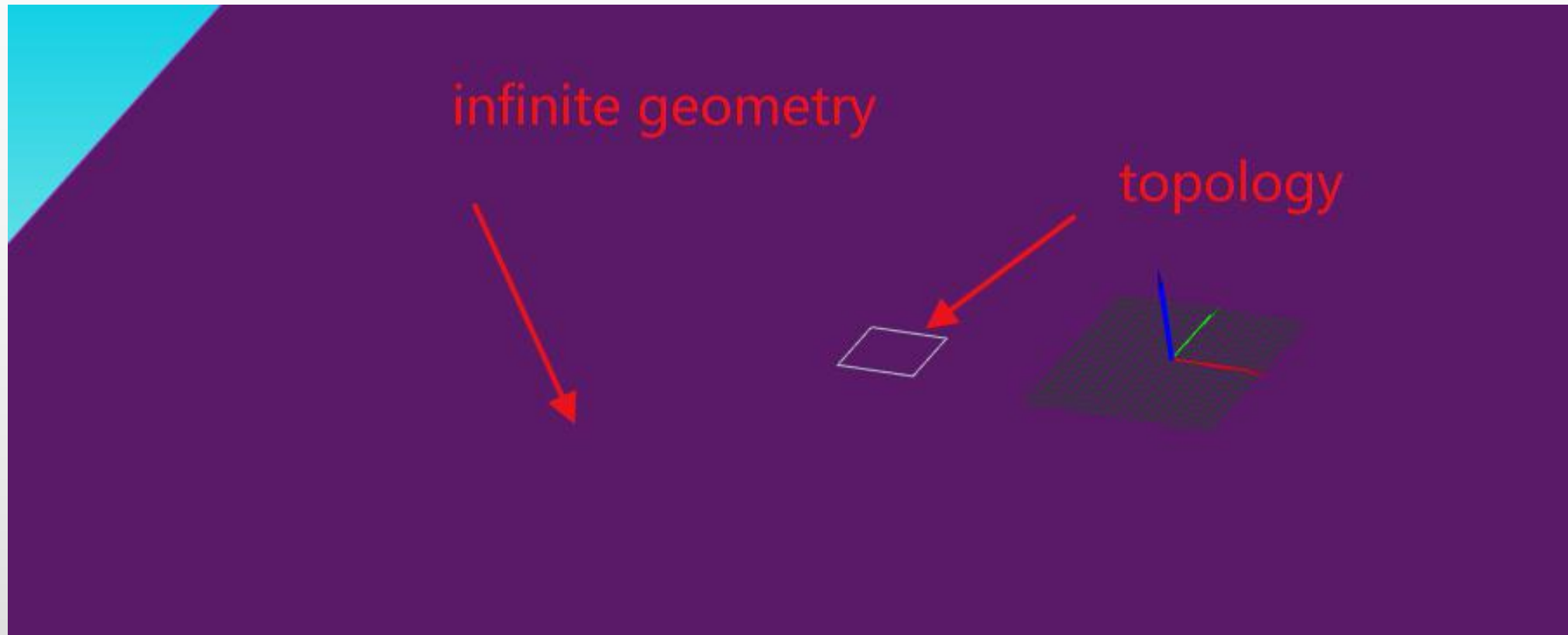




# Geometry And Topology



# Topology and Geometry



# 点击链接打开“深入剖析三维几何内核”系列文章

- [深入剖析三维几何内核系列](#)

# Q&A